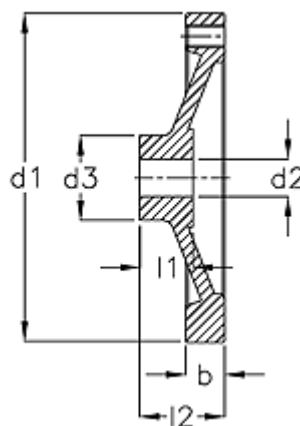
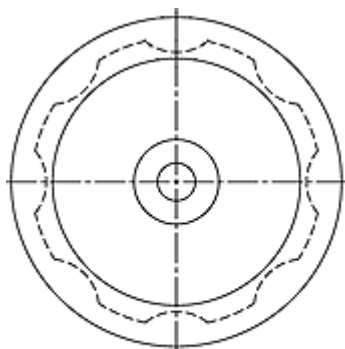


Article number: 20344299

Description: E+G Handwheel
GN 321.5-125-K12-A-ZI

Measures



b	= 17
d1	= 125
d2 H7	= 12
d3	= 29
l1	= 18
l2	= 42.0